



BERMUDA

MICRO LED TABLE LAMP

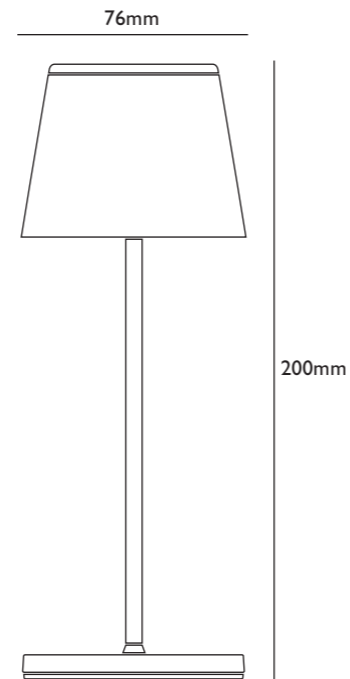


Operating Instructions

BERMUDA

MICRO LED TABLE LAMP

LED 2.7K - 4K switchable
2.2W - DC 3.7V - IP65



Product Description

Model Bermuda Micro	Application Rechargeable table light	Net Weight 430g	Dimensions 76 x 200mm	Inner Box 120 x 90 x 240mm	Outer Carton 380 x 380 x 260mm	Pcs/Ctn 12
Input Voltage DC3.7V	Power 2.2W	Safety Class CLASS III	Ingress Protection IP65	Beam Angle 100°	Light Source SMD	Luminaire Flux 160 lm
Materials Die-cast aluminium alloy, clear polycarbonate diffuser with optical structure.						

How to use

This product is made exclusively for lighting purposes. It must not be exposed to heavy mechanical loads or contamination. Please install and use only after thoroughly checking that it is undamaged. Any installation or maintenance must be carried out while the product is turned off. Any alterations to the product, tampering with the product, or failure to comply with the instructions may harm the product and make it hazardous. When fully assembled, the lamp (not including the charging base), reaches an IP65 rating making it ideal for outdoor use. When assembled fully and on top of the charging base it has an IP20 rating which means it is not suitable for outdoor use. All metal and plastic surfaces should be cleaned with a soft dry cloth. Utopia shall not be held liable for any damage caused due to its products being assembled or used in any manner that does not comply with these instructions.

Battery charger technical data

- Contact charging base : INPUT/OUTPUT 5Vdc -1A; cavo USB 1.2 Mt.
- Charger: INPUT AC100-240V 50/60Hz; OUTPUT 5Vdc -1A.
- This lamp may also be used when connected to the charging base.
- It is advised that only the original provided charging base is used. Alternatively, 1A max chargers can be used.

Important to know

- The lamps supporting surface should not exceed 15° of tilt or it will fall.
- The provided battery has an overload protection function.
- To preserve the integrity of this battery, we recommend keeping the charging to 20% minimum to 80% maximum; if the lamp is not used regularly it is advised to regularly charge/discharge it.
- Your LED Cordless lamp is designed to provide reliable illumination, and on average, you can expect it to maintain 90% of its original battery capacity after approximately 450 full charge cycles.
- Please refer to local laws/guidance for proper disposal/recycling of the battery.

Table Lamp IP65

Contact Charging Base IP20

ON/OFF TOUCH SWITCH

Turn lamp on/off with one touch
Enjoy the same brightness level as previous use, with a smart brightness level memory system.

CCT SWITCH

Only works when the light is on.

STEPLESS DIMMER

Only works when the light is on.

CHARGE

Auto Off

If there is no operation within 10 seconds, the lamp will automatically quit the colour temperature switching mode.



utopia

Head Office & Showroom
Utopia Tableware
One Langham Park,
Mansfield Road,
Chesterfield, S41 0GG

T. 01246 858800
E. info@utopia-tableware.com

www.utopia-tableware.com
[/utopiatableware](#)
[@utopiatableware](#)

